

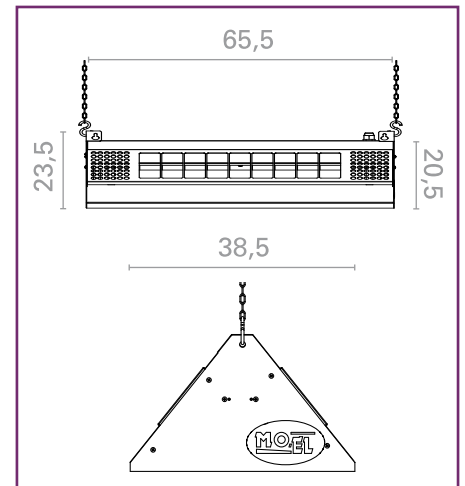
# MO-STICK

## mod. 372



### SHATTERPROOF LAMPS TWO POSSIBLE FIXING METHODS

1- Operates discreetly without making any noise



Produced specifically for large business areas needing the greatest environmental hygiene.

#### CONSTRUCTION

The product is made entirely from AISI 304 stainless steel, welded and treated for use in food preparation areas. To ensure it is completely impermeable to water, dust and steam the model is supplied with watertight lamp holders, rubber cable and plug with watertight cable carrier, and a seal between body and cover. MO-STICK is a trap which enables monitoring of captured insects and can also be used in environments that have slightly inflammable atmospheres, such as sugar refineries and wine shops. Extremely easy to clean by applying a jet of water and replacing the adhesive papers. The clean, stylish design makes it a decorative, silent and discreet object that hides the insects from view. MO-STICK can be hung from the ceiling with 2 practical small chains, fixed to the wall or simply stood in place.

#### LAMPS

The 2 powerful 40W UV-A lamps mounted on the watertight lampholder are supplied with a shatterproof sheath for protection of the tube: should the glass break, it does not get scattered, and the phosphides in the lamp do not escape. The sheath is totally transparent to UV-A rays.

#### SAFETY

The model is IMQ approved, has IP65 protection rating and complies with CE standards.



TECHNICAL SPECIFICATIONS	
Dimensions in mm	655x390x235 mm (H)
Weight	8.8 kg
Voltage rating	230V/50Hz
Total power consumption	95W
UV-A lamps	2x40W shatterproof
Duration of lamps	2000 h
Power cable	Neoprene
Protection level	IP65
Standard accessories	Small chain - adhesive paper

SPARES	
000788	40W shatterproof lamp
001625	pack of 10 adhesive papers