

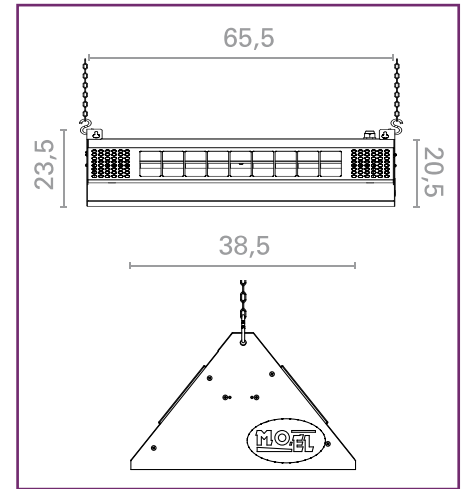
# MO-STICK

art. 397



## SHATTERPROOF LAMPS TWO FIXING METHODS

1- Operates discreetly without making any noise



Produced specifically for large business areas needing the greatest environmental hygiene.

### PLACEMENT

The lamps must be installed away from principal light sources (windows etc.) and away from strong draughts which could disturb the flight of the insects.

Avoid installing the MO-STICK near to production areas; the aim is to attract the insects away from these areas.

The ideal position is between entrances and production areas so as to catch the insects before they reach critical production points.



TECHNICAL SPECIFICATIONS	
Dimensions in mm	655x390x235 mm (H)
Weight	8.8 kg
Voltage rating	230V/50Hz
Total power consumption	95W
UV-A lamps	2x40W shatterproof
Duration of lamps	2000 h
Power cable	Neoprene
Protection level	IP65
Standard accessories	Small chain - adhesive paper

SPARES	
000788	40W shatterproof lamp
001625	pack of 10 adhesive papers